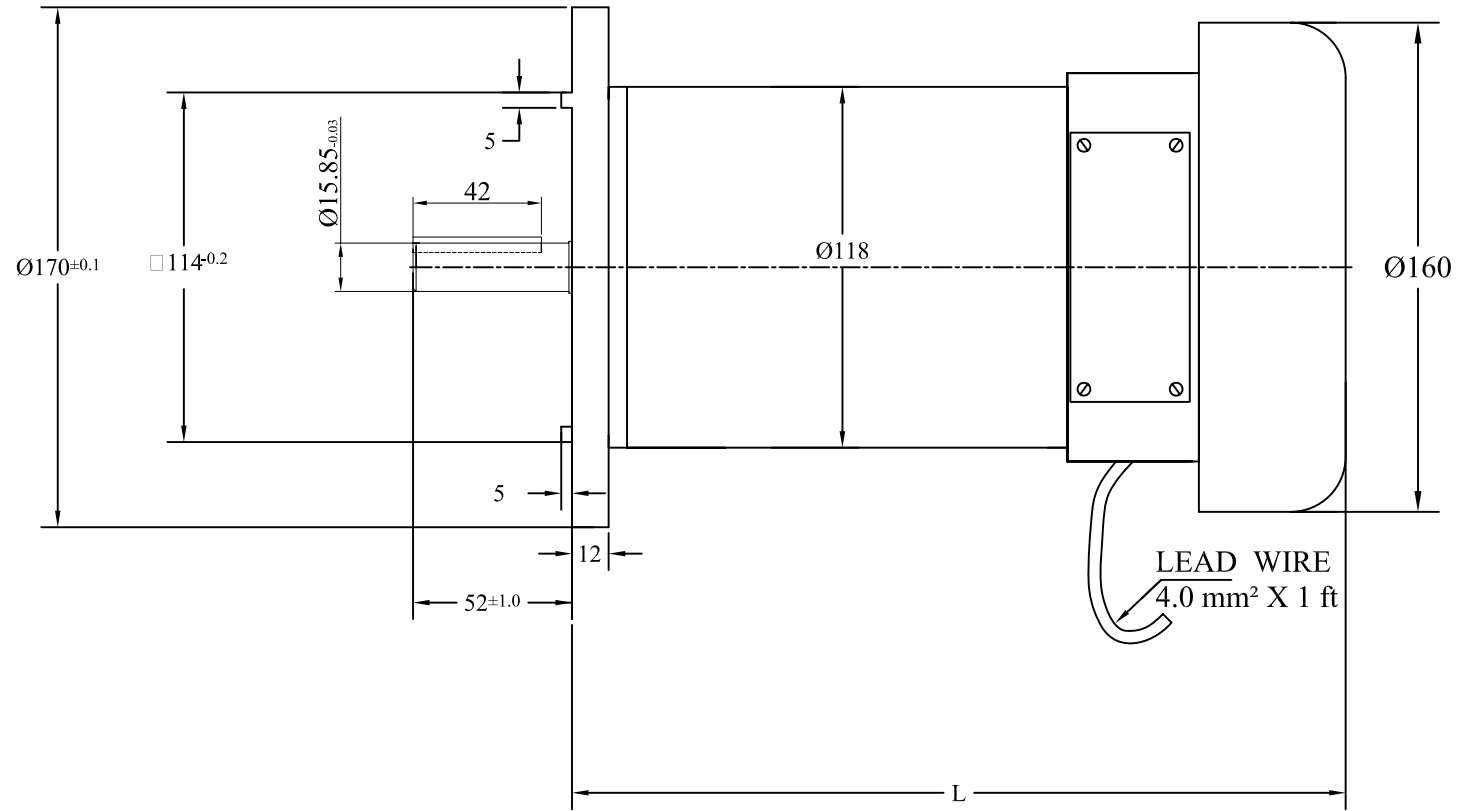
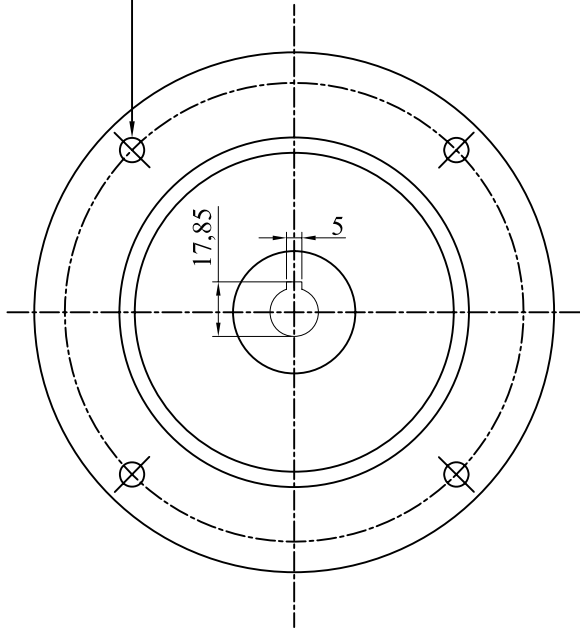


4NOS OF M10 TAP
ON 150PCD. EQ.SP.



NOTE: ALL UNSPECIFIED DIMENSIONS ARE HAVING TOLERANCE OF ±0.1MM.

SPECIFICATIONS

MODEL	POWER IN WATTS/HP	SPEED IN RPM	VOLTAGE IN VDC	CURR. IN AMPS	TORQUE IN KG-CM	INSL. CLASS	DUTY CYCLE	PROTEC-TION	ENCL.	MOUNT-ING	FRAME	LENGTH L in mm	WEIGHT IN Kg
M6BB	180 / 0.25	1500	12 / 24	19.5 / 10.0	12.0	B	S1	IP 44	TEFC	FLANGE	NEEMA	253	12.5
M6BF	180 / 0.25	3000	12 / 24	19.5 / 10.0	6.0	B	S1	IP 44	TEFC	FLANGE	NEEMA	253	12.5
M7BB	360 / 0.5	1500	12 / 24	39.0 / 19.5	24.0	B	S1	IP 44	TEFC	FLANGE	NEEMA	253	12.5
M7BF	360 / 0.5	3000	12 / 24	39.0 / 19.5	12.0	B	S1	IP 44	TEFC	FLANGE	NEEMA	253	12.5
M8BB	560 / 0.75	1500	12 / 24	58.0 / 29.0	36.0	B	S1	IP 44	TEFC	FLANGE	NEEMA	280	14.5
M8BF	560 / 0.75	3000	12 / 24	58.0 / 29.0	18.0	B	S1	IP 44	TEFC	FLANGE	NEEMA	280	14.5



PMDC MOTOR.

TITLE	Ø118/MOTOR.
REVISION NO.	00
REVISION DATE.	14/04/2009
DRAWN BY.	MANOHAR
APPROVED BY.	R.S.KUNDGOLKAR

**MMC ELECTRIC
COMPANY PVT.LTD.
BELGAUM.**

SHEET	1 OF 1	MATERIAL
SCALE.	N.T.S.	-----
DRG.NO.	MI-118/17-M[B]	

ALL DIMENSIONS ARE IN MM.	REV.NO	DATE	DESCRIPTION	DRN.BY	APD.BY