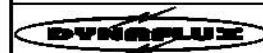


NOTE: ALL UNSPECIFIED DIMENSIONS ARE HAVING TOLERANCE OF $\pm 0.1\text{mm}$.

SPECIFICATIONS

MODEL	POWER IN WATTS/HP	SPEED IN RPM	VOLTAGE IN VDC	CURRL IN AMPS	RATIO	OUTPUT SPEED IN RPM	TORQUE IN KG-CM	INSL. CLASS	DUTY CYCLE	PROTEC-TION	ENCL	WEIGHT (KG)
M3WA	100/0.13	1500	180	0.7	48	30	100	B	S1	IP44	TEFC	6.3
M3WB	100/0.13	1500	180	0.7	24	60	80	B	S1	IP44	TEFC	
M3WC	100/0.13	1500	180	0.7	16	100	35	B	S1	IP44	TEFC	
M3WD	100/0.13	1500	180	0.7	10	150	28	B	S1	IP44	TEFC	
M3WE	100/0.13	2000	180	0.7	10	200	18	B	S1	IP44	TEFC	
M3WF	100/0.13	3000	180	0.7	10	300	14	B	S1	IP44	TEFC	
M4WA	120/0.16	1500	180	0.8	48	30	120	B	S1	IP44	TEFC	
M4WB	120/0.16	1500	180	0.8	24	60	72	B	S1	IP44	TEFC	
M4WC	120/0.16	1500	180	0.8	16	100	40	B	S1	IP44	TEFC	
M4WD	120/0.16	1500	180	0.8	10	150	32	B	S1	IP44	TEFC	
M4WE	120/0.16	2000	180	0.8	10	200	20	B	S1	IP44	TEFC	
M4WF	120/0.16	3000	180	0.8	10	300	15	B	S1	IP44	TEFC	
M5WA	150/0.20	1500	180	1.0	48	30	150	B	S1	IP44	TEFC	
M5WB	150/0.20	1500	180	1.0	24	60	90	B	S1	IP44	TEFC	
M5WC	150/0.20	1500	180	1.0	16	100	52	B	S1	IP44	TEFC	
M5WD	150/0.20	1500	180	1.0	10	150	40	B	S1	IP44	TEFC	
M5WE	150/0.20	2000	180	1.0	10	200	28	B	S1	IP44	TEFC	
M5WF	150/0.20	3000	180	1.0	10	300	20	B	S1	IP44	TEFC	
M6WA	180/0.25	1500	180	1.2	48	30	180	B	S1	IP44	TEFC	
M6WB	180/0.25	1500	180	1.2	24	60	120	B	S1	IP44	TEFC	
M6WC	180/0.25	1500	180	1.2	16	100	70	B	S1	IP44	TEFC	
M6WD	180/0.25	1500	180	1.2	10	150	52	B	S1	IP44	TEFC	
M6WE	180/0.25	2000	180	1.2	10	200	30	B	S1	IP44	TEFC	
M6WF	180/0.25	3000	180	1.2	10	300	25	B	S1	IP44	TEFC	



PMDC MOTOR.

TITLE	90DIA WORM MOTOR
REVISION NO.	00
REVISION DATE.	19/08/09

MMC ELECTRIC COMPANY PVT.LTD. BELGAUM.

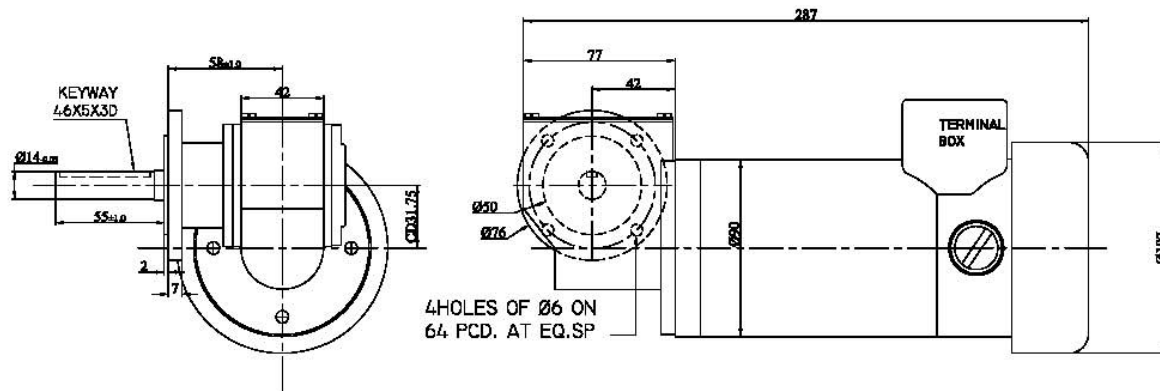
DRAWN BY.	MANOHAR	APPROVED BY.	R.S.KUNDGOLKAR
-----------	---------	--------------	----------------

SHEET	1 OF 1	MATERIAL	---
SCALE.	N.T.S.		
DRG.NO	MI-90/10-M(N)		

MOUNTING : FOOT

ALL DIMENSIONS ARE IN MM.

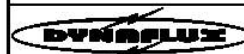
REV.NO	DATE	DESCRIPTION	DRN.BY	APD.BY
--------	------	-------------	--------	--------



NOTE: ALL UNSPECIFIED DIMENSIONS ARE HAVING TOLERANCE OF $\pm 0.1\text{mm}$.

SPECIFICATIONS

MODEL	POWER IN WATTS/HP	SPEED IN RPM	VOLTAGE IN VDC	CURR. IN AMP6	RATIO	OUTPUT SPEED IN RPM	TORQUE IN KG-CM	INSL. CLASS	DUTY CYCLE	PROTEC-TION	ENCL.	WEIGHT (KG)
M3WAF	100/0.13	1500	180	0.7	48	30	100	B	S1	IP44	TEFC	8.3
M3WBF	100/0.13	1500	180	0.7	24	60	80	B	S1	IP44	TEFC	
M3WCF	100/0.13	1500	180	0.7	18	100	36	B	S1	IP44	TEFC	
M3WDF	100/0.13	1500	180	0.7	10	150	28	B	S1	IP44	TEFC	
M3WEF	100/0.13	2000	180	0.7	10	200	18	B	S1	IP44	TEFC	
M3WFF	100/0.13	3000	180	0.7	10	300	14	B	S1	IP44	TEFC	
M4WAF	120/0.16	1500	180	0.8	48	30	120	B	S1	IP44	TEFC	
M4WBF	120/0.16	1500	180	0.8	24	60	72	B	S1	IP44	TEFC	
M4WCF	120/0.16	1500	180	0.8	18	100	40	B	S1	IP44	TEFC	
M4WDF	120/0.16	1500	180	0.8	10	150	32	B	S1	IP44	TEFC	
M4WEF	120/0.16	2000	180	0.8	10	200	20	B	S1	IP44	TEFC	
M4WFF	120/0.16	3000	180	0.8	10	300	15	B	S1	IP44	TEFC	
M5WAF	150/0.20	1500	180	1.0	48	30	150	B	S1	IP44	TEFC	
M5WBF	150/0.20	1500	180	1.0	24	60	90	B	S1	IP44	TEFC	
M5WCF	150/0.20	1500	180	1.0	18	100	62	B	S1	IP44	TEFC	
M5WDF	150/0.20	1500	180	1.0	10	150	40	B	S1	IP44	TEFC	
M5WEF	150/0.20	2000	180	1.0	10	200	28	B	S1	IP44	TEFC	
M5WFF	150/0.20	3000	180	1.0	10	300	20	B	S1	IP44	TEFC	
M6WAF	180/0.25	1500	180	1.2	48	30	180	B	S1	IP44	TEFC	
M6WBF	180/0.25	1500	180	1.2	24	60	120	B	S1	IP44	TEFC	
M6WCF	180/0.25	1500	180	1.2	18	100	70	B	S1	IP44	TEFC	
M6WDF	180/0.25	1500	180	1.2	10	150	52	B	S1	IP44	TEFC	
M6WEF	180/0.25	2000	180	1.2	10	200	30	B	S1	IP44	TEFC	
M6WFF	180/0.25	3000	180	1.2	10	300	25	B	S1	IP44	TEFC	



PMDC MOTOR.

TITLE: **SODIA WORM FLANGE MOTOR.**

MMC ELECTRIC COMPANY PVT.LTD. BELGAUM.

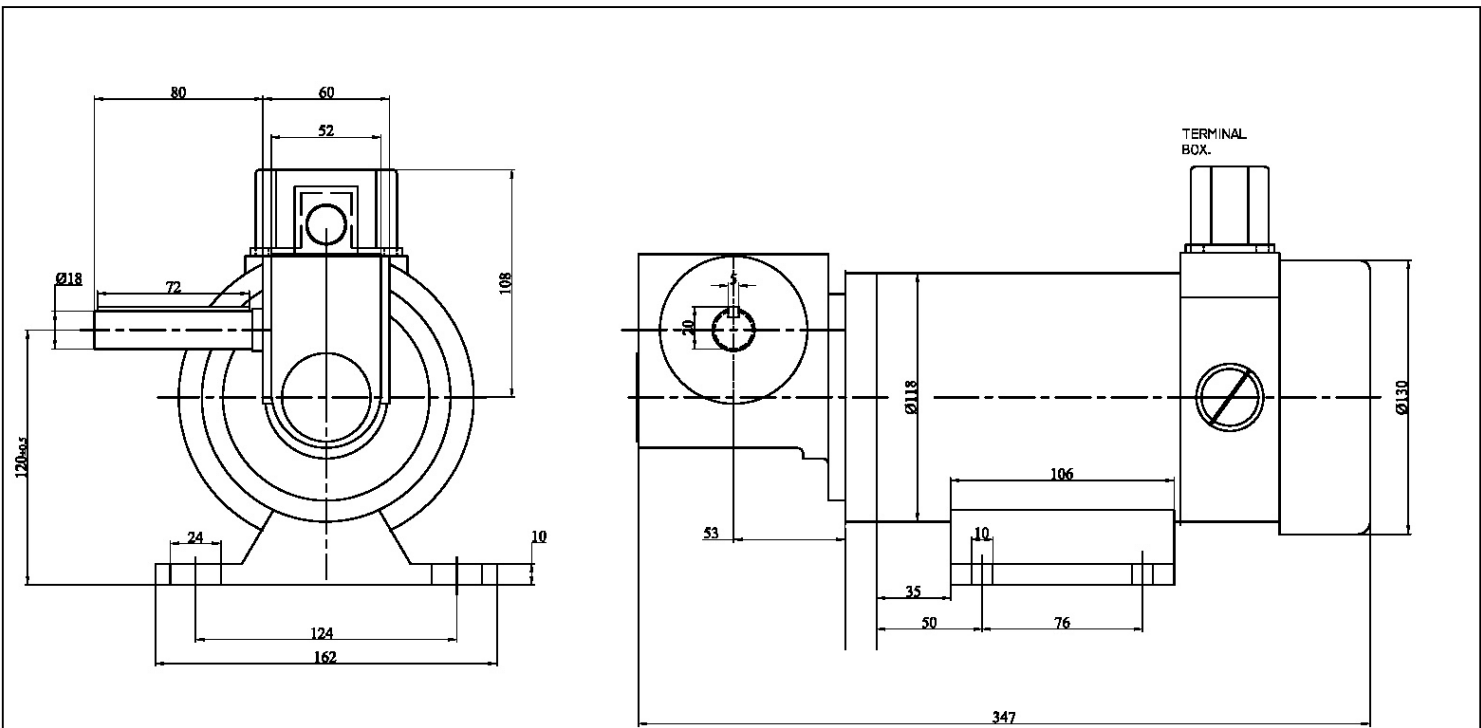
REVISION NO.	REVISION DATE.
00	19/08/09

DRAWN BY: MANOHAR	APPROVED BY: R.S.KUNDGOLKAR
-------------------	-----------------------------

SHRET	1 OF 1	MATERIAL
SCALE: N.T.S.		---
DRG.NO:	MI-90/18-M(N)	

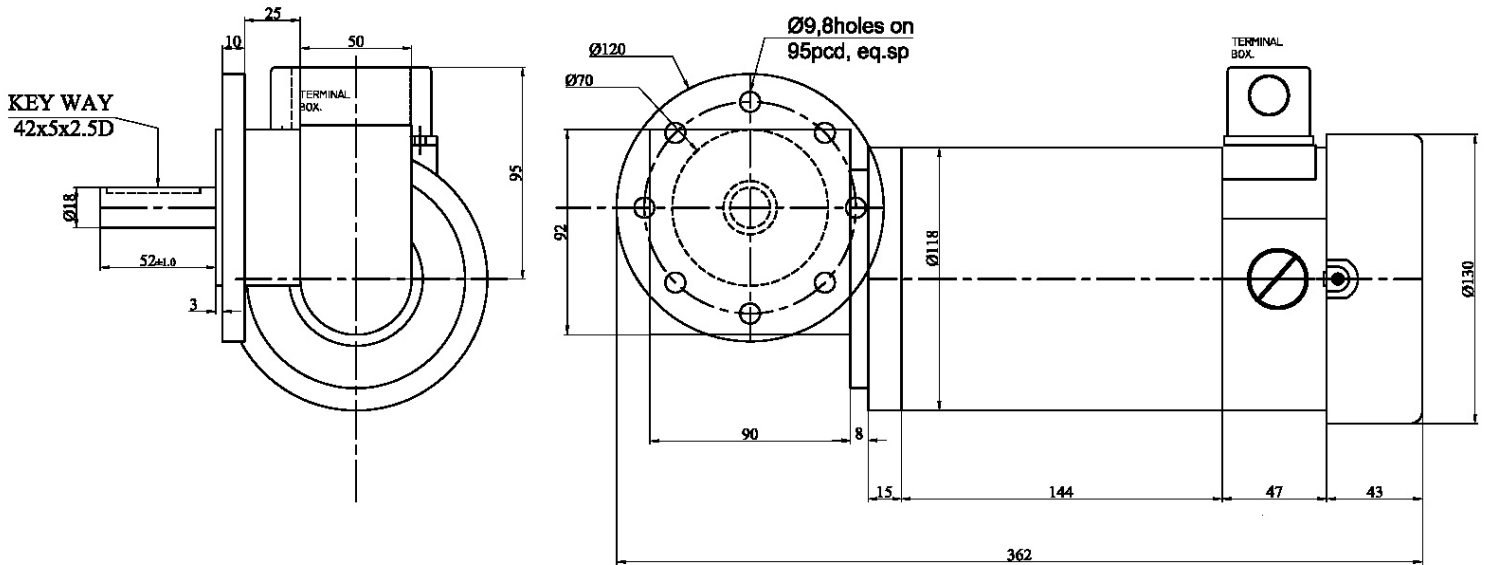
MOUNTING : FLANGE

ALL DIMENSIONS ARE IN MM. REV.NO DATE DESCRIPTION DRN.BY APD.BY


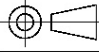


NOTE: ALL UNSPECIFIED DIMENSIONS ARE HAVING TOLERANCE OF ± 0.1 mm.

SPECIFICATIONS													PMDC MOTOR.			
MODEL	POWER IN WATTS/HP	SPEED IN RPM	VOLTAGE IN VDC	CURR. IN AMPS	RATIO	OUTPUT SPEED IN RPM	TORQUE IN KG-CM	INSL. CLASS	DUTY CYCLE	PROTEC-TION	ENCL.		WEIGHT (KG)	TITLE	MMC ELECTRIC COMPANY PVT.LTD. BELGAUM.	
M7NWA	360/0.5	1500	180	2.6	6.6	220	48	B	S1	IP44	TEFC	13.0	118DIA WORM-foot/MOTOR.	SHEET 1 OF 1 MATERIAL SCALE. N.T.S.		
M7NWB	360/0.5	1500	180	2.6	10.0	150	72	B	S1	IP44	TEFC		REVISION NO.			REVISION DATE.
M7NWC	360/0.5	1500	180	2.6	14.5	100	100	B	S1	IP44	TEFC		00			05/06/2009
M7NWD	360/0.5	1500	180	2.6	20.0	75	182	B	S1	IP44	TEFC					
MOUNTING : FOOT												DRAWN BY. APPROVED BY.		MANO HAR R.S.KUNDGOLKAR		
ALL DIMENSIONS ARE IN MM.			REV.NO	DATE	DESCRIPTION				DRN.BY		APD.BY		DRG.NO	MI-118/121-M[N]		



NOTE: ALL UNSPECIFIED DIMENSIONS ARE HAVING TOLERANCE OF ± 0.1 mm.

SPECIFICATIONS															PMDC MOTOR. MMC ELECTRIC COMPANY PVT.LTD. BELGAUM.							
MODEL	POWER IN WATTS/HP	SPEED IN RPM	VOLTAGE IN VDC	CURR. IN AMPS	RATIO	OUTPUT SPEED IN RPM	TORQUE IN KG-CM	INSL. CLASS	DUTY CYCLE	PROTEC-TION	ENCL.	WEIGHT (KG)						TITLE	REVISION NO	REVISION DATE	SHEET	1 OF 1
M7NWF	380/0.5	1500	180	2.6	6.6	220	48	B	S1	IP44	TEFC	13.0	118DIA WORM-flange/MOTOR.	00	05/06/2009	DRAWN BY.	APPROVED BY.	SCALE.		---		
M7NWF	380/0.5	1500	180	2.6	10.0	150	72	B	S1	IP44	TEFC		MANOHAR	R.S.KUNDGOLKAR	N.T.S.	DRG.NO.	MI-118/121-M[FL]					
M7NWF	380/0.5	1500	180	2.6	14.5	100	100	B	S1	IP44	TEFC											
M7NWF	380/0.5	1500	180	2.6	20.0	75	192	B	S1	IP44	TEFC											
MOUNTING : FLANGE																						
ALL DIMENSIONS ARE IN MM.													REV.NO	DATE	DESCRIPTION	DRN.BY	APD.BY					