

NOTE : ALL UNSPECIFIED DIMENSIONS ARE HAVING TOLERANCE OF ±0.1MM.

SPECIFICATIONS

MODEL	POWER IN WATTS/HP	SPEED IN RPM	VOLTAGE IN VDC	CURR. IN AMPS	RATIO	OUTPUT SPEED IN RPM	TORQUE IN KG-CM	INSL. CLASS	DUTY CYCLE	PROTEC-TION	ENCL.	LENGTH L in mm	WEIGHT (KG)
M7BPA	360/0.5	1500	12 / 24	39.0 / 19.5	47.5	30	1000	B	S1	IP44	TEFC	280	26
M8BPA	560/0.75	1500	12 / 24	58.0 / 29.0	47.5	30	1500	B	S1	IP44	TEFC	286	31



PMDC MOTOR.

TITLE PL GRD/MOTOR M 3028

MMC ELECTRIC COMPANY PVT.LTD. BELGAUM.

REVISION NO. 00

REVISION DATE. 27/08/2009

DRAWN BY. MANOHAR

APPROVED BY. R.S.KUNDGOLKAR

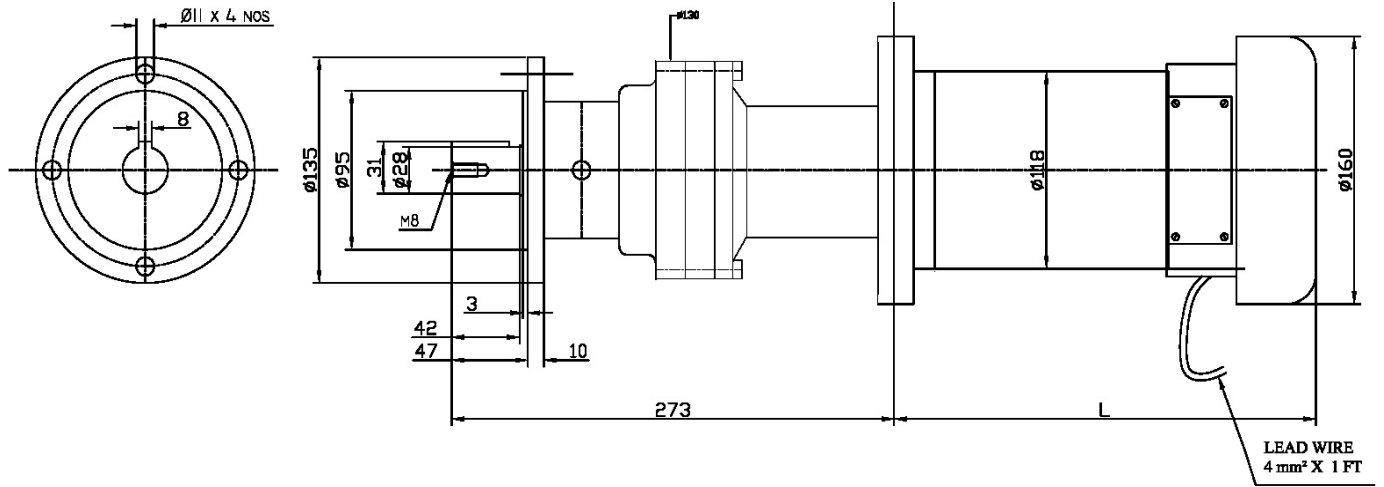
SHEET 1 OF 1 MATERIAL

SCALE. N.T.S.

DRG.NO. MI-118/355-M[B]

MOUNTING : " FOOT "

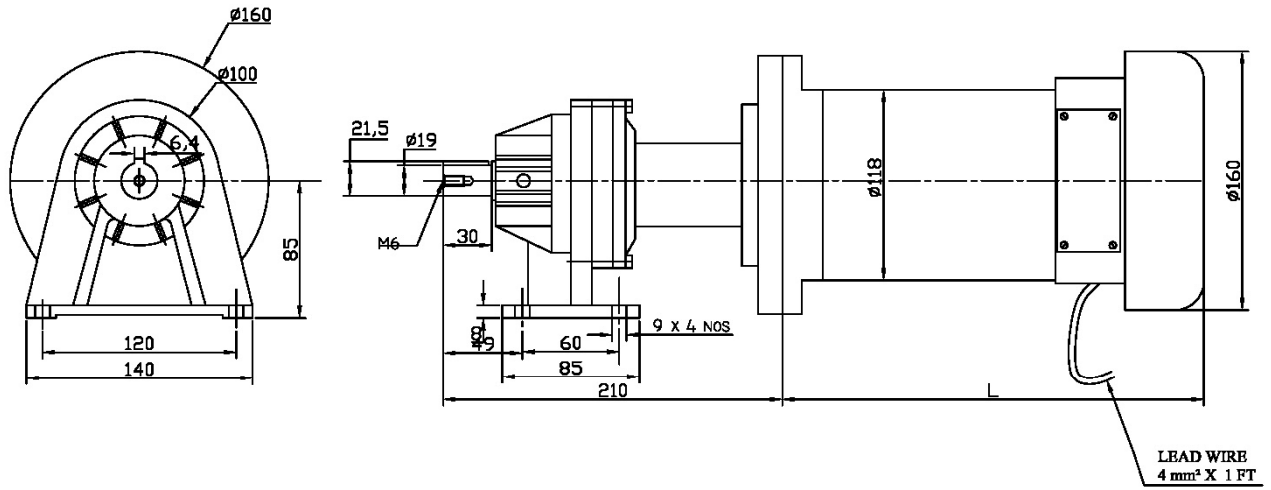
ALL DIMENSIONS ARE IN MM. REV.NO DATE DESCRIPTION DRN.BY APD.BY



NOTE : ALL UNSPECIFIED DIMENSIONS ARE HAVING TOLERANCE OF ±0.1MM.

SPECIFICATIONS													
MODEL	POWER IN WATTS/HP	SPEED IN RPM	VOLTAGE IN VDC	CURR. IN AMPS	RATIO	OUTPUT SPEED IN RPM	TORQUE IN KG-CM	INSL. CLASS	DUTY CYCLE	PROTEC-TION	ENCL.	LENGTH L in mm	WEIGHT (KG)
M7BPAF	360/0.5	1500	12 / 24	39.0 / 19.5	47.5	30	1000	B	S1	IP44	TEFC	260	22
M8BPAF	560/0.75	1500	12 / 24	56.0 / 28.0	47.5	30	1500	B	S1	IP44	TEFC	286	24
MOUNTING : " FLANGE "													
ALL DIMENSIONS ARE IN MM.													
REV.NO	DATE	DESCRIPTION	DRN.BY	APD.BY									

		PMDC MOTOR.		
TITLE		PL GRD/MOTOR M 3028		
REVISION NO.		REVISION DATE.		
00		27/08/2009		
DRAWN BY.		APPROVED BY		
MANOHAR		R.S.KUNDGOLKAR		
SHEET	1 OF 1	MATERIAL		
SCALE.	---			
N.T.S.				
DRG.NO.	MI-118/355-M[FL]B			



NOTE : ALL UNSPECIFIED DIMENSIONS ARE HAVING TOLERANCE OF ± 0.1 MM.

SPECIFICATIONS

MODEL	POWER IN WATTS/HP	SPEED IN RPM	VOLTAGE IN VDC	CURRL IN AMPS	RATIO	OUTPUT SPEED IN RPM	TORQUE IN KG-CM	INSL. CLASS	DUTY CYCLE	PROTEC-TION	ENCL.	LENGTH L in mm	WEIGHT (KG)
M7BFB	380/0.5	1500	12 / 24	39.0 / 19.5	47.5	75	450	B	S1	IP44	TEFC	259	23
M8BFB	560/0.75	1500	12 / 24	58.0 / 29.0	47.5	75	800	B	S1	IP44	TEFC	280	25
MOUNTING : " FOOT "													
ALL DIMENSIONS ARE IN MM.													
REV.NO	DATE	DESCRIPTION	DRN.BY	APD.BY									



PMDC MOTOR.

TITLE PL GRD/MOTOR M 2019

MMC ELECTRIC
COMPANY PVT.LTD.
BELGAUM.

REVISION NO. REVISION DATE.

00 27/08/2009

DRAWN BY. APPROVED BY

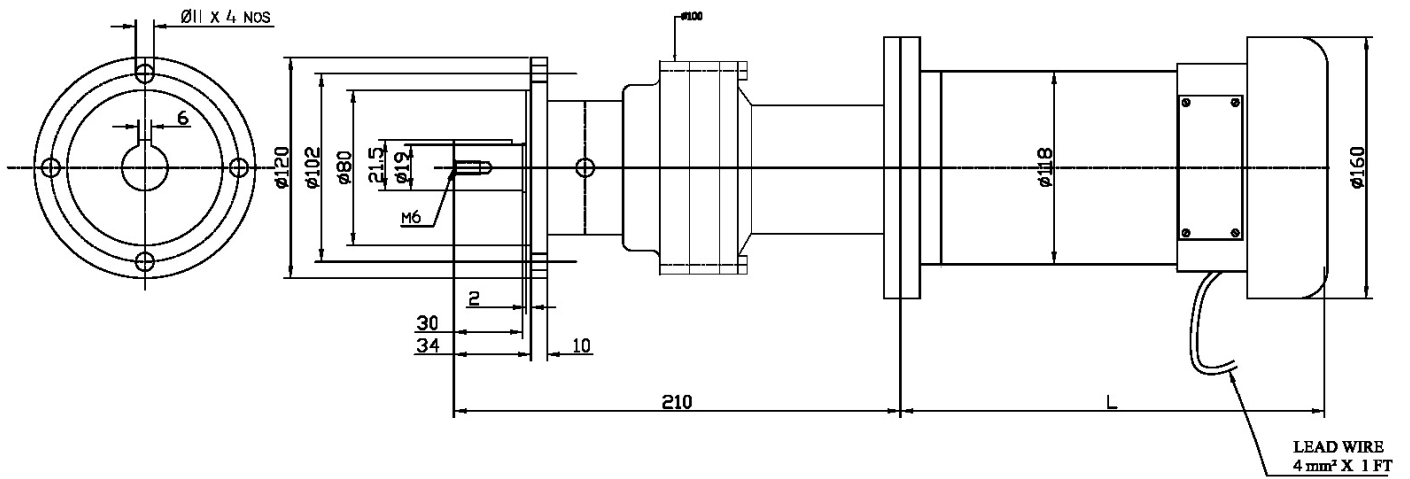
MANOHAR R.S.KUNDGOLKAR

SHEET 1 OF 1 MATERIAL

SCALE. ---

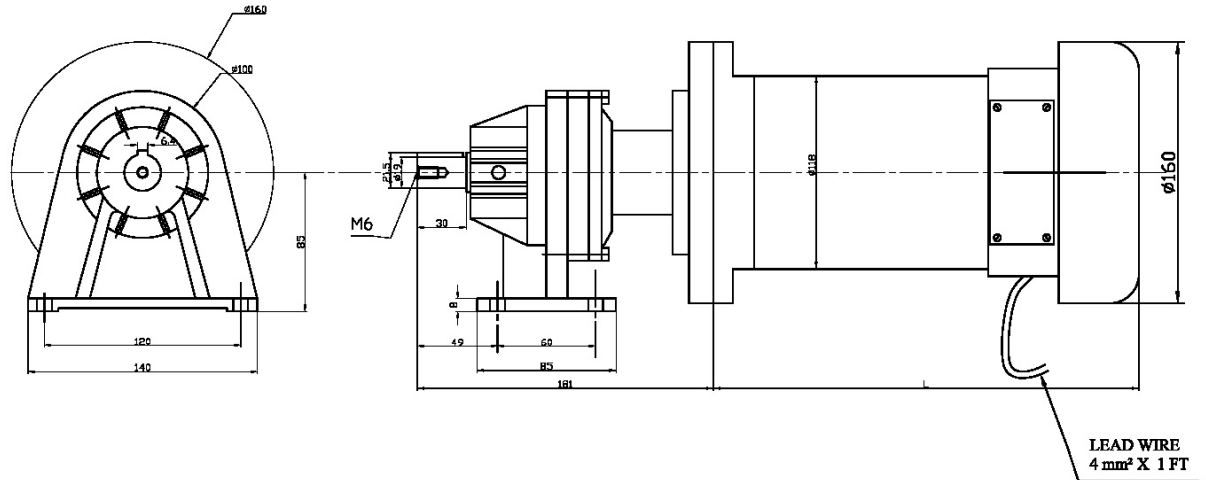
N.T.S.

DRG.NO. MI-118/357-M[8]


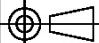


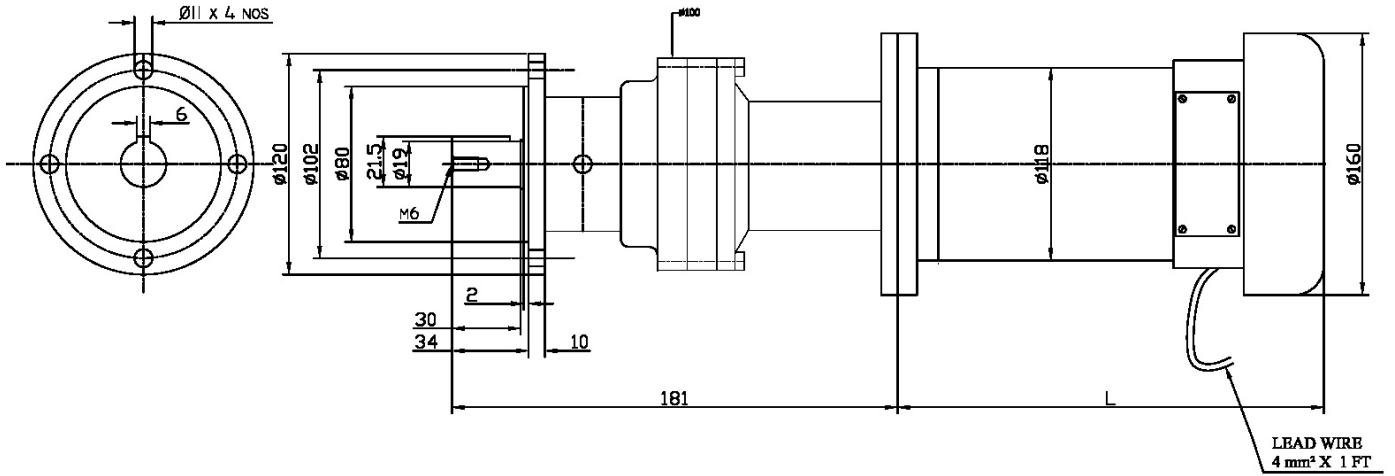
NOTE : ALL UNSPECIFIED DIMENSIONS ARE HAVING TOLERANCE OF $\pm 0.1\text{MM}$.

SPECIFICATIONS															PMDC MOTOR.			
MODEL	POWER IN WATTS/HP	SPEED IN RPM	VOLTAGE IN VDC	CURR. IN AMPS	RATIO	OUTPUT SPEED IN RPM	TORQUE IN KG-CM	INSL. CLASS	DUTY CYCLE	PROTEC-TION	ENCL.	LENGTH L In mm	WEIGHT (KG)	TITLE	PL GRD/MOTOR M 2019	MMC ELECTRIC COMPANY PVT.LTD. BELGAUM.		
M7PBF	360/0.5	1500	12 / 24	39.0 / 19.5	47.5	75	450	B	S1	IP44	TEFC	260	22	REVISION NO.	REVISION DATE.	SHEET	1 OF 1	MATERIAL
M8PBF	560/0.75	1500	12 / 24	58.0 / 29.0	47.5	75	600	B	S1	IP44	TEFC	266	24	00	27/08/2009	SCALE.		
MOUNTING : " FLANGE "													DRAWN BY.	APPROVED BY	N.T.S.			
ALL DIMENSIONS ARE IN MM.													MANOHAR	R.S.KUNDGOLKAR	DRG.NO. MI-118/357-M[FL]			
				REV.NO	DATE	DESCRIPTION				DRN.BY	APD.BY							



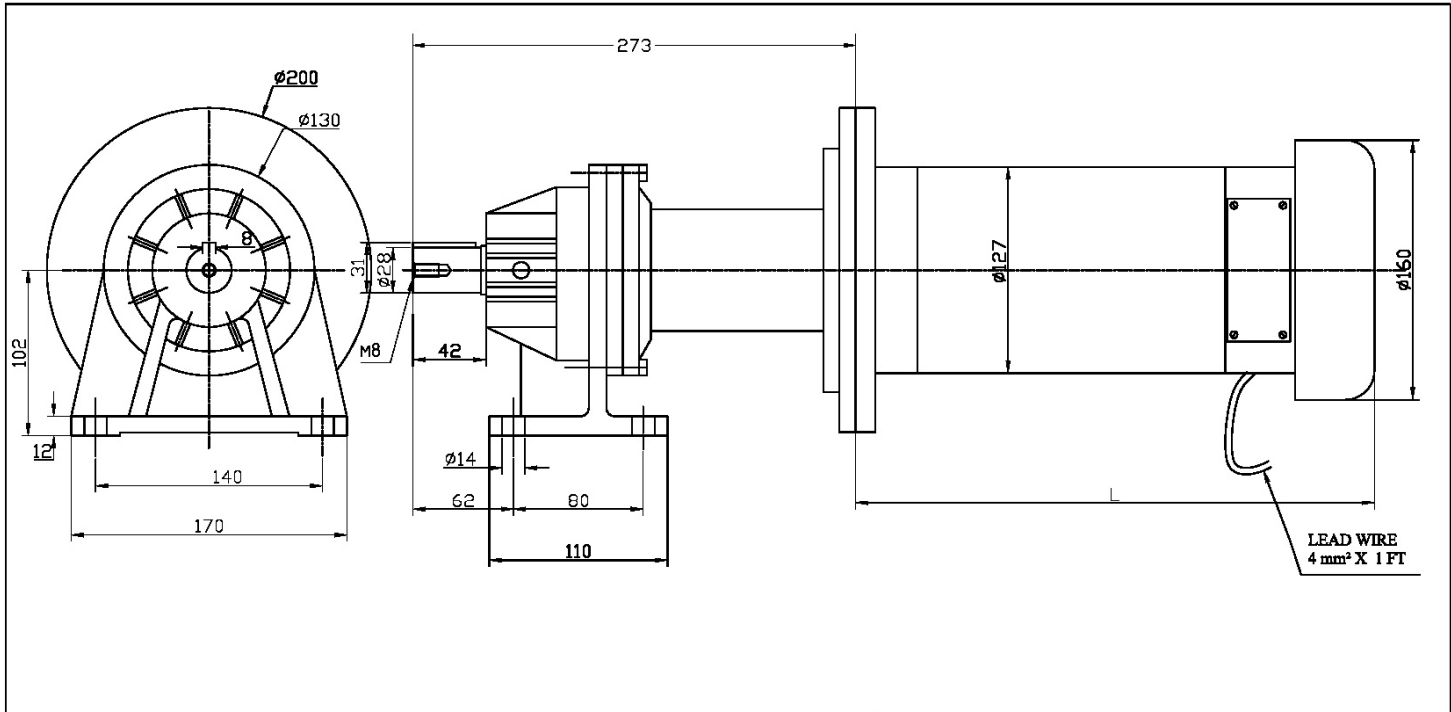
NOTE : ALL UNSPECIFIED DIMENSIONS ARE HAVING TOLERANCE OF $\pm 0.1\text{MM}$.

SPECIFICATIONS																PMDC MOTOR.		
MODEL	POWER IN WATTS/HP	SPEED IN RPM	VOLTAGE IN VDC	CURR. IN AMPS	RATIO	OUTPUT SPEED IN RPM	TORQUE IN KG-CM	INSL. CLASS	DUTY CYCLE	PROTEC-TION	ENCL.	LENGTH L In mm	WEIGHT (KG)	TITLE	PL GRD/MOTOR M 1019	MMC ELECTRIC COMPANY PVT.LTD. BELGAUM.		
M7BPC	360/0.5	1500	12 / 24	39.0 / 19.5	5.70	250	150	B	S1	IP44	TEFC	259	20	REVISION NO.	REVISION DATE.	SHEET 1 OF 1 MATERIAL		
M7BPD	360/0.5	1500	12 / 24	39.0 / 19.5	3.60	400	100	B	S1	IP44	TEFC	259	20	00	27/08/2009	SCALE. N.T.S.		
M8BPC	560/0.75	1500	12 / 24	58.0 / 29.0	5.70	250	200	B	S1	IP44	TEFC	280	22	DRAWN BY.	APPROVED BY			
M8BPD	560/0.75	1500	12 / 24	58.0 / 29.0	3.60	400	150	B	S1	IP44	TEFC	280	22	MANOHAR	R.S.KUNDGOLKAR	DRG.NO. MI-118/354-M		
MOUNTING : " FOOT ".				REV.NO		DATE		DESCRIPTION				DRN.BY		APD.BY				
ALL DIMENSIONS ARE IN MM.																		



NOTE : ALL UNSPECIFIED DIMENSIONS ARE HAVING TOLERANCE OF $\pm 0.1\text{mm}$.

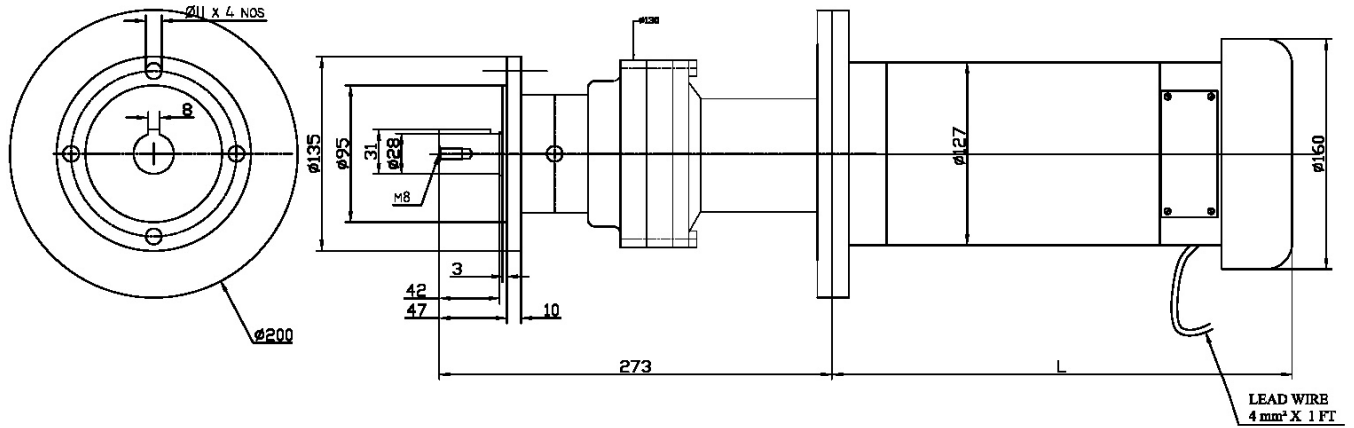
SPECIFICATIONS																PMDC MOTOR.			
MODEL	POWER IN WATTS/HP	SPEED IN RPM	VOLTAGE IN VDC	CURR. IN AMPS	RATIO	OUTPUT SPEED IN RPM	TORQUE IN KG-CM	INSL. CLASS	DUTY CYCLE	PROTEC-TION	ENCL.	LENGTH L In mm	WEIGHT (KG)	TITLE	PL GRD/MOTOR M 1019	MMC ELECTRIC COMPANY PVT.LTD. BELGAUM.			
M7BPCF	360/0.5	1500	12 / 24	39.0 / 19.5	5.70	250	150	B	S1	IP44	TEFC	260	20	REVISION NO.	REVISION DATE.				SHEET 1 OF 1 MATERIAL SCALE. N.T.S.
M7BPDF	360/0.5	1500	12 / 24	39.0 / 19.5	3.60	400	100	B	S1	IP44	TEFC	260		00	27/08/2009	DRAWN BY. APPROVED BY MANOHAR R.S.KUNDGOLKAR			
M8BPCF	590/0.75	1500	12 / 24	58.0 / 29.0	5.70	250	200	B	S1	IP44	TEFC	266	22	DRG.NO.					MI-118/354-M[FL]
M8BPDF	590/0.75	1500	12 / 24	58.0 / 29.0	3.60	400	150	B	S1	IP44	TEFC	266				MOUNTING : " FLANGE "			
ALL DIMENSIONS ARE IN MM.					REV.NO	DATE	DESCRIPTION	DRN.BY	APD.BY										




NOTE : ALL UNSPECIFIED DIMENSIONS ARE HAVING TOLERANCE OF ±0.1MM.

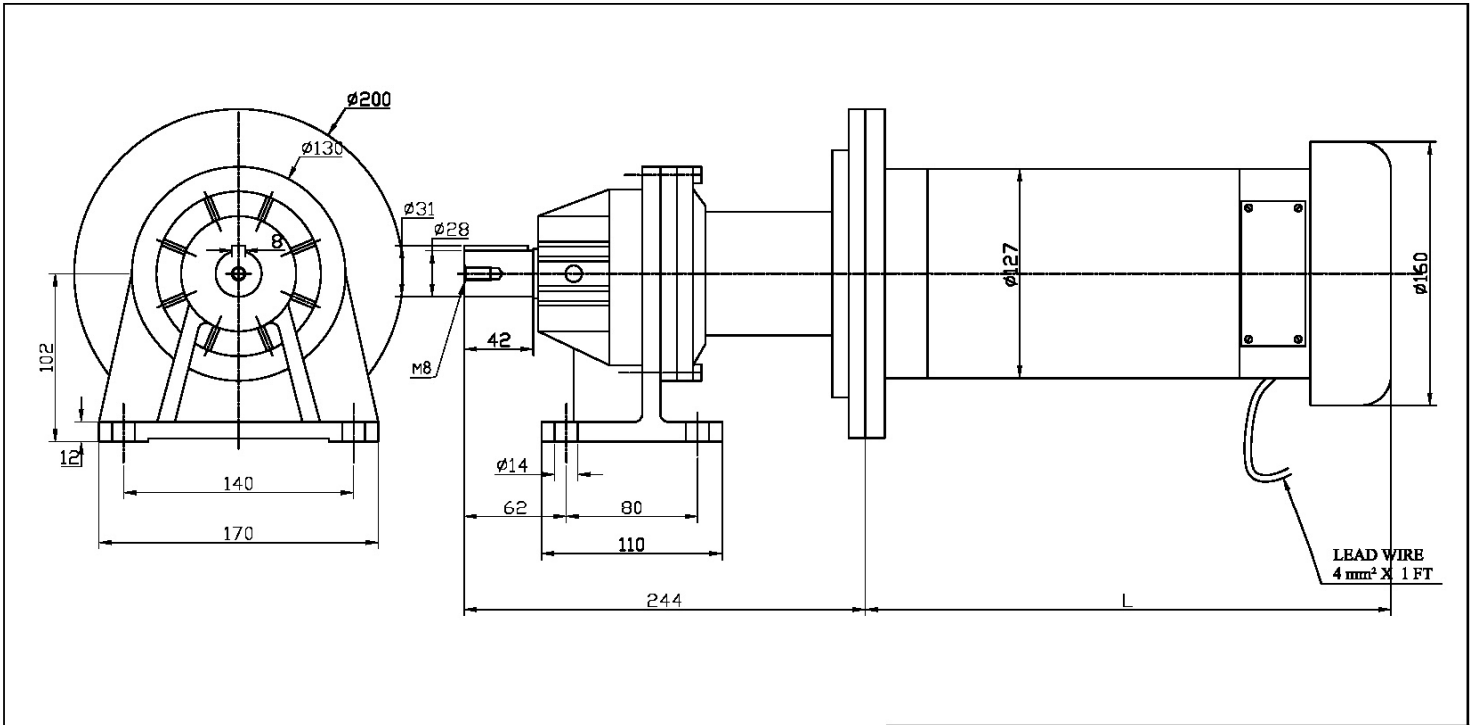
SPECIFICATIONS													
MODEL	POWER IN WATTS/HP	SPEED IN RPM	VOLTAGE IN VDC	CURR. IN AMPS	RATIO	OUTPUT SPEED IN RPM	TORQUE IN KG-CM	INSL. CLASS	DUTY CYCLE	PROTEC-TION	ENCL.	LENGTH L In mm	WEIGHT (KG)
M98PA	746 / 1.0	1500	12 / 24	77.5 / 39.0	46.5	30	2000	B	S1	IP44	TEFG	320	36.0
MOUNTING : " FOOT "													
ALL DIMENSIONS ARE IN MM.													
REV.NO	DATE	DESCRIPTION	DRN.BY	APD.BY									

		PMDC MOTOR.		
TITLE		FL GRD/MOTOR M 3028		
REVISION NO.	REVISION DATE.		MMC ELECTRIC COMPANY PVT.LTD. BELGAUM.	
00	27/08/2009		SHEET	1 OF 1
DRAWN BY.	APPROVED BY		SCALE.	MATERIAL
MANOHAR	R.S.KUNDGOLKAR		N.T.S.	---
DRG.NO.	MI-127/358-M			



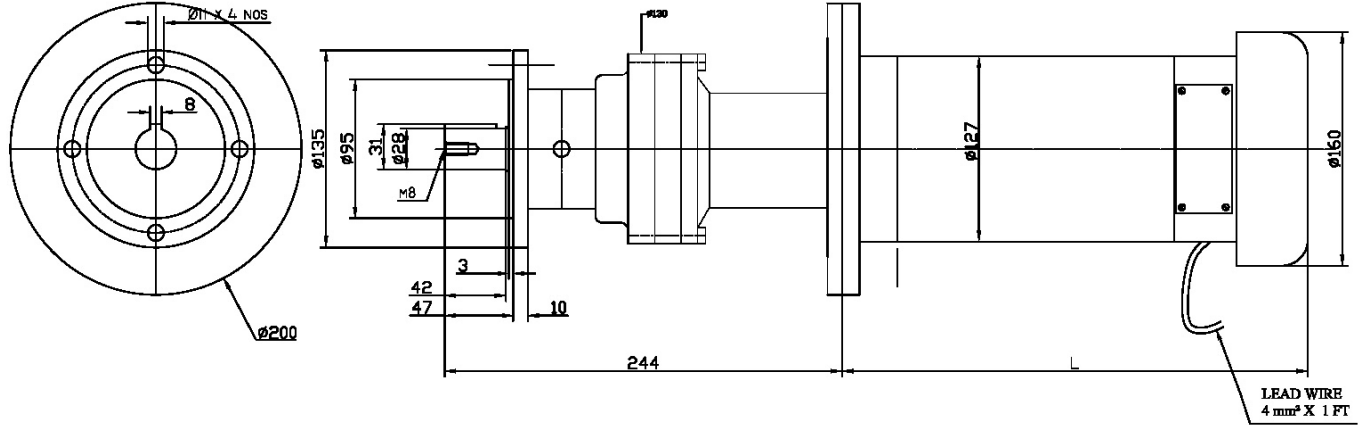
NOTE : ALL UNSPECIFIED DIMENSIONS ARE HAVING TOLERANCE OF ± 0.1 MM.

SPECIFICATIONS																PMDC MOTOR.					
MODEL	POWER IN WATTS/HP	SPEED IN RPM	VOLTAGE IN VDC	CURR. IN AMPS	RATIO	OUTPUT SPEED IN RPM	TORQUE IN KG-CM	INSL. CLASS	DUTY CYCLE	PROTEC-TION	ENCL.	LENGTH L In mm	WEIGHT (KG)			TITLE	PL GRD/MOTOR M 3028	MMC ELECTRIC COMPANY PVT.LTD. BELGAUM.			
M8BPAF	748 / 1.0	1500	12 / 24	77.5 / 39.0	46.5	30	2000	B	S1	IP44	TEFC	320	38	REVISION NO.	00	REVISION DATE.	27/08/2009	SHEET	1 OF 1	MATERIAL	
MOUNTING : " FLANGE "			REV.NO		DATE		DESCRIPTION			DRN.BY		APD.BY		DRAWN BY.		APPROVED BY		SCALE.		N.T.S.	
ALL DIMENSIONS ARE IN MM.			REV.NO		DATE		DESCRIPTION			DRN.BY		APD.BY		DRAWN BY.		APPROVED BY		DRG.NO.		MI-I27/358-M[FL]	



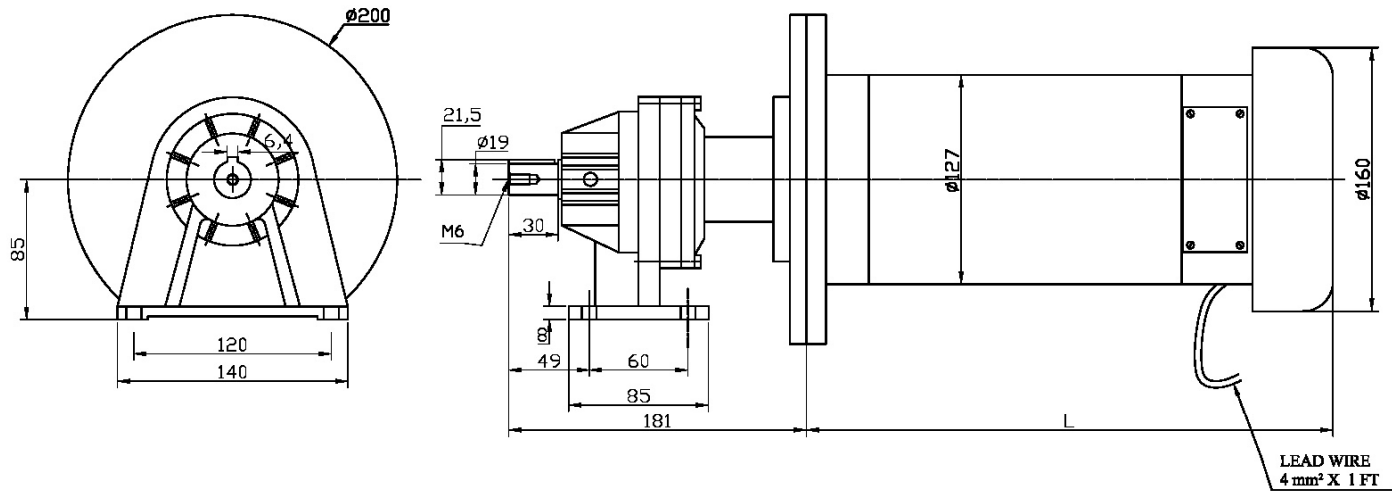
NOTE: ALL UNSPECIFIED DIMENSIONS ARE HAVING TOLERANCE OF ±0.1MM.

SPECIFICATIONS																PMDC MOTOR.				
MODEL	POWER IN WATTS/HP	SPEED IN RPM	VOLTAGE IN VDC	CURR. IN AMPS	RATIO	OUTPUT SPEED IN RPM	TORQUE IN KG-CM	INSL. CLASS	DUTY CYCLE	PROTEC-TION	ENCL.	LENGTH L In mm	WEIGHT (KG)	TITLE PL GRD/MOTOR M 2028		MMC ELECTRIC COMPANY PVT.LTD. BELGAUM.				
M98PB	746 / 1.0	1500	12 / 24	77.5 / 39.0	19.2	75	800	B	S1	IP44	TEFC	320	28.0	REVISION NO.	REVISION DATE.					
														00		27/08/2009		SHEET	1 OF 1	MATERIAL
MOUNTING : FOOT														DRAWN BY.		APPROVED BY		SCALE.		
ALL DIMENSIONS ARE IN MM.														MANOCHAR		R.S.KUNDGOLKAR		N.T.S.		
REV.NO		DATE		DESCRIPTION				DRN.BY		APD.BY		DRG.NO.		MI-127/459-M						



NOTE : ALL UNSPECIFIED DIMENSIONS ARE HAVING TOLERANCE OF ± 0.1 MM.

SPECIFICATIONS													DYNALUX		PMDC MOTOR.							
MODEL	POWER IN WATTS/HP	SPEED IN RPM	VOLTAGE IN VDC	CURR. IN AMPS	RATIO	OUTPUT SPEED IN RPM	TORQUE IN KG-CM	INSL. CLASS	DUTY CYCLE	PROTEC-TION	ENCL.	LENGTH L in mm	WEIGHT (KG)	TITLE	REVISION NO.	REVISION DATE.	MMC ELECTRIC COMPANY PVT.LTD. BELGAUM.					
M8PBF	746 / 1.0	1500	12 / 24	77.5 / 38.0	19.2	75	800	B	S1	IP44	TEFC	320	28.0	PL GRD/MOTOR M 2028	00	27/08/2009	SHEET	1 OF 1	MATERIAL			
MOUNTING : " FLANGE ".													MANOCHAR	R.S.KUNDGOLKAR	N.T.S.							
ALL DIMENSIONS ARE IN MM.													REV.NO	DATE	DESCRIPTION	DRN.BY	APD.BY	DRG.NO.	MI-127/460-M[FL]			



NOTE: ALL UNSPECIFIED DIMENSIONS ARE HAVING TOLERANCE OF ± 0.1 MM.

SPECIFICATIONS

MODEL	POWER IN WATTS/HP	SPEED IN RPM	VOLTAGE IN VDC	CURR. IN AMPS	RATIO	OUTPUT SPEED IN RPM	TORQUE IN KG-CM	INSL. CLASS	DUTY CYCLE	PROTEC-TION	ENCL.	LENGTH L In mm	WEIGHT (KG)
M98PC	746 / 1.0	1500	12 / 24	77.5 / 39.0	5.20	250	300	B	S1	IP44	TEFC	320	30
M98PD	746 / 1.0	1500	12 / 24	77.5 / 39.0	3.60	400	200	B	S1	IP44	TEFC	320	



PMDC MOTOR.

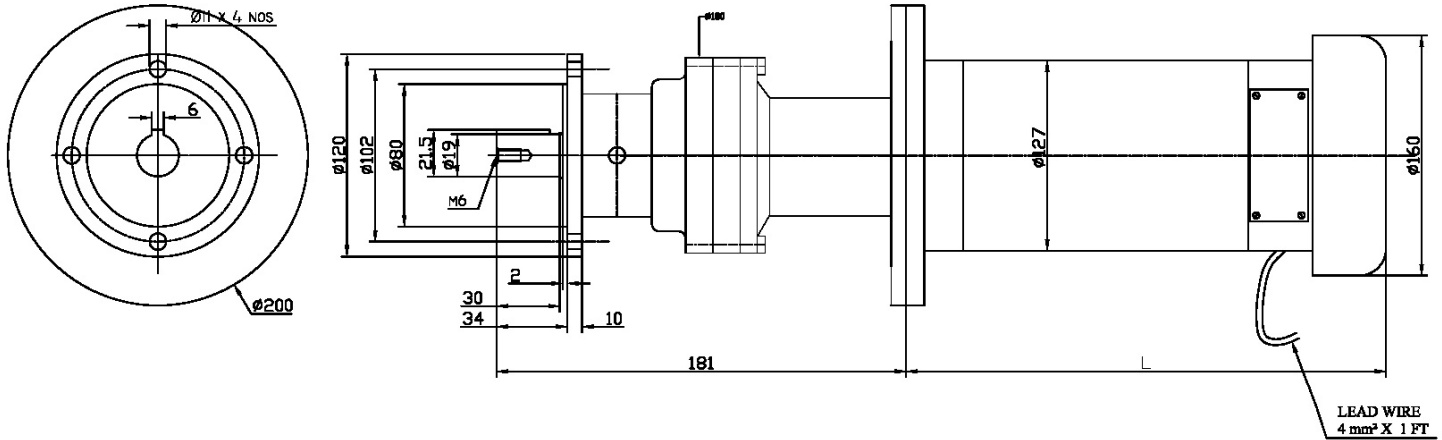
TITLE	PL GRD/MOTOR M 1019
REVISION NO.	REVISION DATE.
00	27/08/2009
DRAWN BY.	APPROVED BY
MANOHAR	R.S.KUNDGOLKAR

MMC ELECTRIC COMPANY PVT.LTD. BELGAUM.


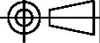
SHEET	1 OF 1	MATERIAL
SCALE.		
N.T.S.		
DRG.NO.	MI-127/364-M	

MOUNTING : * FOOT *

ALL DIMENSIONS ARE IN MM.	REV.NO	DATE	DESCRIPTION	DRN.BY	APD.BY
---------------------------	--------	------	-------------	--------	--------



NOTE: ALL UNSPECIFIED DIMENSIONS ARE HAVING TOLERANCE OF ± 0.1 MM.

SPECIFICATIONS													 PMDC MOTOR.							
MODEL	POWER IN WATTS/HP	SPEED IN RPM	VOLTAGE IN VDC	CURR. IN AMPS	RATIO	OUTPUT SPEED IN RPM	TORQUE IN KG-CM	INSL. CLASS	DUTY CYCLE	PROTEC-TION	ENCL.	LENGTH L in mm	WEIGHT (KG)	TITLE	PL GRD/MOTOR M 1019	MMC ELECTRIC COMPANY PVT.LTD. BELGAUM.				
M9PCF	746 / 1.0	1500	12 / 24	77.5 / 36.0	5.20	250	300	B	S1	IP44	TEFC	320	30	REVISION NO.	REVISION DATE.	SHEET	1 OF 1	MATERIAL		
M9PDF	746 / 1.0	1500	12 / 24	77.5 / 36.0	3.60	400	200	B	S1	IP44	TEFC	320		00	27/08/2009	DRAWN BY.	APPROVED BY	SCALE.	---	
MOUNTING : " FLANGE ".													MANOHAR	R.S.KUNDGOLKAR	N.T.S.			DRG.NO.	MI-127/364-M[FL]	
ALL DIMENSIONS ARE IN MM.													REV.NO	DATE	DESCRIPTION	DRN.BY	APD.BY			