

NOTE: ALL UNSPECIFIED DIMENSIONS ARE HAVING TOLERANCE OF ±0.1mm.

SPECIFICATIONS

MODEL	POWER IN WATTS/HP	SPEED IN RPM	VOLTAGE IN VDC	CURR IN AMPS	RATIO	OUTPUT SPEED IN RPM	TORQUE IN KG-CM	INSL. CLASS	DUTY CYCLE	PROTEC-TION	ENGL	WEIGHT (KG)
M3BWA	100/0.13	1500	12 / 24	10.5 / 5.2	48	30	100	B	S1	IP44	TEFC	8.3
M3BWB	100/0.13	1500	12 / 24	10.5 / 5.2	24	60	80	B	S1	IP44	TEFC	
M3BWC	100/0.13	1500	12 / 24	10.5 / 5.2	16	100	35	B	S1	IP44	TEFC	
M3BWD	100/0.13	1500	12 / 24	10.5 / 5.2	10	150	28	B	S1	IP44	TEFC	
M3BWE	100/0.13	2000	12 / 24	10.5 / 5.2	10	200	18	B	S1	IP44	TEFC	
M3BWF	100/0.13	3000	12 / 24	10.5 / 5.2	10	300	14	B	S1	IP44	TEFC	
M4BWA	120/0.16	1500	12 / 24	12.5 / 6.2	48	30	120	B	S1	IP44	TEFC	
M4BWB	120/0.16	1500	12 / 24	12.5 / 6.2	24	60	72	B	S1	IP44	TEFC	
M4BWC	120/0.16	1500	12 / 24	12.5 / 6.2	16	100	40	B	S1	IP44	TEFC	
M4BWD	120/0.16	1500	12 / 24	12.5 / 6.2	10	150	32	B	S1	IP44	TEFC	
M4BWE	120/0.16	2000	12 / 24	12.5 / 6.2	10	200	20	B	S1	IP44	TEFC	
M4BWF	120/0.16	3000	12 / 24	12.5 / 6.2	10	300	15	B	S1	IP44	TEFC	
M5BWA	150/0.20	1500	12 / 24	15.5 / 8.0	48	30	150	B	S1	IP44	TEFC	
M5BWB	150/0.20	1500	12 / 24	15.5 / 8.0	24	60	90	B	S1	IP44	TEFC	
M5BWC	150/0.20	1500	12 / 24	15.5 / 8.0	16	100	52	B	S1	IP44	TEFC	
M5BWD	150/0.20	1500	12 / 24	15.5 / 8.0	10	150	40	B	S1	IP44	TEFC	
M5BWE	150/0.20	2000	12 / 24	15.5 / 8.0	10	200	26	B	S1	IP44	TEFC	
M5BWF	150/0.20	3000	12 / 24	15.5 / 8.0	10	300	20	B	S1	IP44	TEFC	



PMDC MOTOR.

TITLE	90DIA WORM(PDC)-REV/MOTOR.
REVISION NO.	00
REVISION DATE.	19/08/06

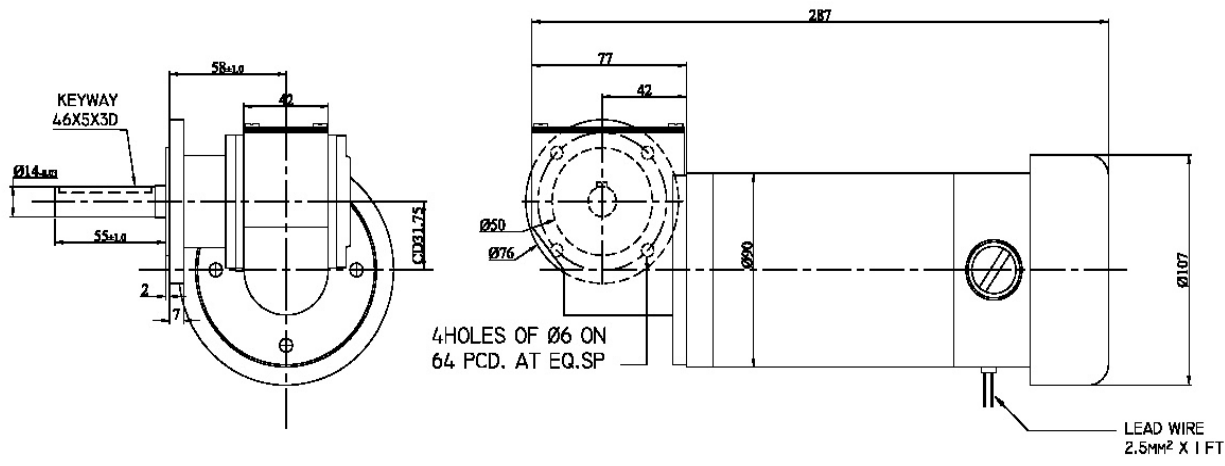
MMC ELECTRIC COMPANY PVT.LTD. BELGAUM.

DRAWN BY.	MANOHAR
APPROVED BY.	R.S.KUNDGOLKAR

SHEET	1 OF 1	MATERIAL	
SCALE.	N.T.S.		
DRG.NO.	MI-90/10-M(B)		

MOUNTING : FOOT

ALL DIMENSIONS ARE IN MM.	REV.NO	DATE	DESCRIPTION	DRN.BY	APD.BY
---------------------------	--------	------	-------------	--------	--------

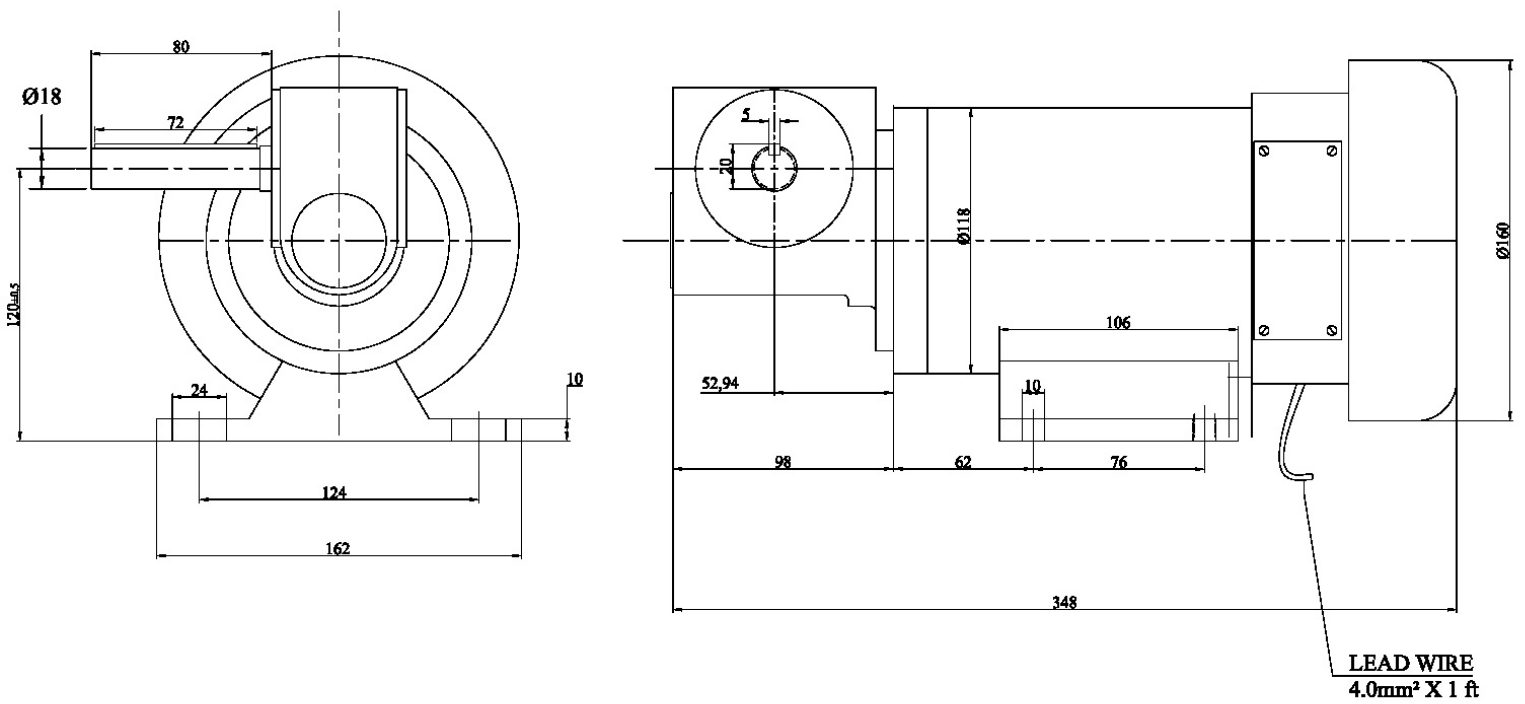


NOTE: ALL UNSPECIFIED DIMENSIONS ARE HAVING TOLERANCE OF  $\pm 0.1$ mm.

SPECIFICATIONS

MODEL	POWER IN WATTS/HP	SPEED IN RPM	VOLTAGE IN VDC	CURR. IN AMPS	RATIO	OUTPUT SPEED IN RPM	TORQUE IN KG-CM	INSL. CLASS	DUTY CYCLE	PROTEC-TION	ENCL	WEIGHT (KG)
M3BWF	100/0.13	1500	12 / 24	10.5 / 5.2	48	30	100	B	S1	IP44	TEFC	6.3
M3BWF	100/0.13	1500	12 / 24	10.5 / 5.2	24	60	60	B	S1	IP44	TEFC	
M3BWF	100/0.13	1500	12 / 24	10.5 / 5.2	16	100	35	B	S1	IP44	TEFC	
M3BWF	100/0.13	1500	12 / 24	10.5 / 5.2	10	150	28	B	S1	IP44	TEFC	
M3BWF	100/0.13	2000	12 / 24	10.5 / 5.2	10	200	18	B	S1	IP44	TEFC	
M3BWF	100/0.13	3000	12 / 24	10.5 / 5.2	10	300	14	B	S1	IP44	TEFC	
M4BWF	120/0.18	1500	12 / 24	12.5 / 6.2	48	30	120	B	S1	IP44	TEFC	
M4BWF	120/0.18	1500	12 / 24	12.5 / 6.2	24	60	72	B	S1	IP44	TEFC	
M4BWF	120/0.18	1500	12 / 24	12.5 / 6.2	16	100	40	B	S1	IP44	TEFC	
M4BWF	120/0.18	1500	12 / 24	12.5 / 6.2	10	150	32	B	S1	IP44	TEFC	
M4BWF	120/0.18	2000	12 / 24	12.5 / 6.2	10	200	20	B	S1	IP44	TEFC	
M4BWF	120/0.18	3000	12 / 24	12.5 / 6.2	10	300	15	B	S1	IP44	TEFC	
M5BWF	150/0.20	1500	12 / 24	15.5 / 8.0	48	30	150	B	S1	IP44	TEFC	
M5BWF	150/0.20	1500	12 / 24	15.5 / 8.0	24	60	90	B	S1	IP44	TEFC	
M5BWF	150/0.20	1500	12 / 24	15.5 / 8.0	16	100	62	B	S1	IP44	TEFC	
M5BWF	150/0.20	1500	12 / 24	15.5 / 8.0	10	150	40	B	S1	IP44	TEFC	
M5BWF	150/0.20	2000	12 / 24	15.5 / 8.0	10	200	28	B	S1	IP44	TEFC	
M5BWF	150/0.20	3000	12 / 24	15.5 / 8.0	10	300	20	B	S1	IP44	TEFC	

<b>DYNAPLUX</b>		<b>PMDC MOTOR.</b>		
TITLE		90DIA WORM(PDC)-Flange/MOTOR		<b>MMC ELECTRIC COMPANY PVT.LTD. BELGAUM.</b>
REVISION NO		REVISION DATE		
00		19/08/06		
DRAWN BY		APPROVED BY		SHEET 1 OF 1
MANOHAR		R.S.KUNDGOLKAR		MATERIAL
SCALE		N.T.S.		---
ALL DIMENSIONS ARE IN MM		REV.NO	DATE	DESCRIPTION
		DRN.BY	APD.BY	DRG.NO. MI-90/18-M(N)B



NOTE: ALL UNSPECIFIED DIMENSIONS ARE HAVING TOLERANCE OF  $\pm 0.1\text{mm}$ .

SPECIFICATIONS

MODEL	POWER IN WATTS/HP	SPEED IN RPM	VOLTAGE IN VDC	CURR. IN AMPS	RATIO	OUTPUT SPEED IN RPM	TORQUE IN KG-CM	INSL. CLASS	DUTY CYCLE	PROTEC-TION	ENCL.	WEIGHT (KG)
M6BWA	180 / 0.25	1500	12 / 24	19.5 / 10.0	6.6	220	24	B	S1	IP44	TEFC	15.0
M6BWB	180 / 0.25	1500	12 / 24	19.5 / 10.0	10.0	150	38	B	S1	IP44	TEFC	
M6BWC	180 / 0.25	1500	12 / 24	19.5 / 10.0	14.5	100	50	B	S1	IP44	TEFC	
M6BWD	180 / 0.25	1500	12 / 24	19.5 / 10.0	20.0	75	96	B	S1	IP44	TEFC	
M7BWA	360 / 0.5	1500	12 / 24	39.0 / 19.5	6.6	220	48	B	S1	IP44	TEFC	
M7BWB	360 / 0.5	1500	12 / 24	39.0 / 19.5	10.0	150	72	B	S1	IP44	TEFC	
M7BWC	360 / 0.5	1500	12 / 24	39.0 / 19.5	14.5	100	100	B	S1	IP44	TEFC	
M7BWD	360 / 0.5	1500	12 / 24	39.0 / 19.5	20.0	75	182	B	S1	IP44	TEFC	



PMDC MOTOR.

TITLE | 118DIA WORM-foot/MOTOR.

MMC ELECTRIC COMPANY PVT.LTD. BELGAUM.

REVISION NO. | REVISION DATE.

00 | 05/06/2009

DRAWN BY. | APPROVED BY.

MANOHAR | R.S.KUNDGOLKAR

SHEET | 1 OF 1 | MATERIAL

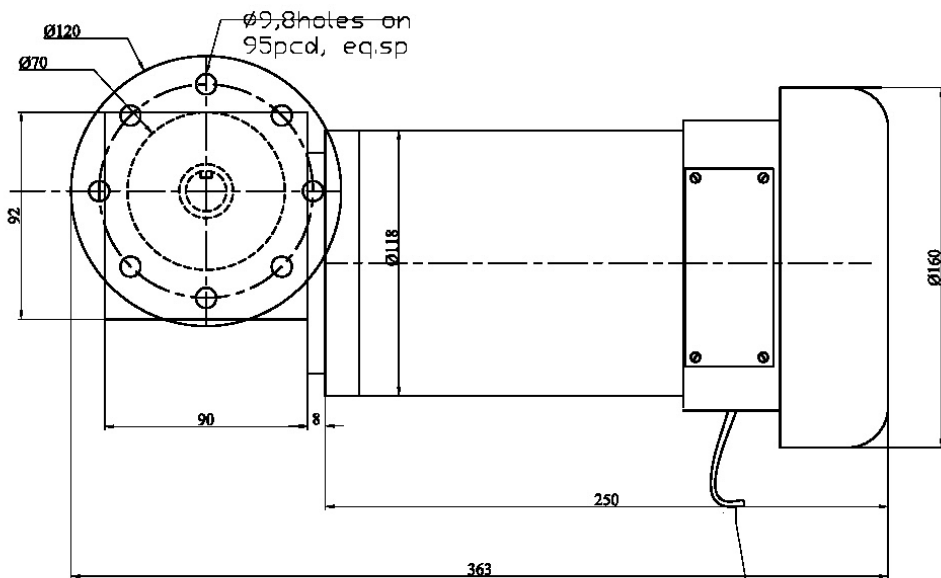
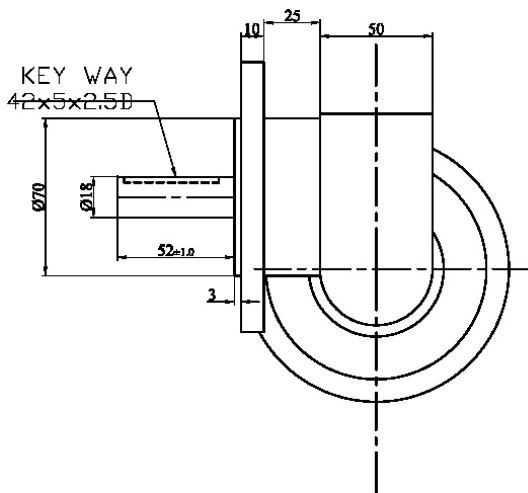
SCALE. | N.T.S. |

DRG.NO. | MI-118/121-M[B]

MOUNTING : FOOT

ALL DIMENSIONS ARE IN MM.

REV.NO	DATE	DESCRIPTION	DRN.BY	APD.BY



NOTE: ALL UNSPECIFIED DIMENSIONS ARE HAVING TOLERANCE OF ±0.1mm.

LEAD WIRE  
4.0 mm<sup>2</sup> X 1 FT

SPECIFICATIONS

MODEL	POWER IN WATTS/HP	SPEED IN RPM	VOLTAGE IN VDC	CURR. IN AMPS	RATIO	OUTPUT SPEED IN RPM	TORQUE IN KG-CM	INSL. CLASS	DUTY CYCLE	PROTEC-TION	ENCL.	WEIGHT (KG)
M6BAAF	180 / 0.25	1500	12 / 24	19.5 / 10.0	6.6	220	24	B	S1	IP44	TEFC	16.0
M6BAAF	180 / 0.25	1800	12 / 24	19.5 / 10.0	10.0	150	38	B	S1	IP44	TEFC	
M6BAAF	180 / 0.25	1500	12 / 24	19.5 / 10.0	14.5	100	50	B	S1	IP44	TEFC	
M6BAAF	180 / 0.25	1500	12 / 24	19.5 / 10.0	20.0	75	98	B	S1	IP44	TEFC	
M7BAAF	360 / 0.5	1500	12 / 24	39.0 / 19.5	6.6	220	48	B	S1	IP44	TEFC	
M7BAAF	360 / 0.5	1500	12 / 24	39.0 / 19.5	10.0	150	72	B	S1	IP44	TEFC	
M7BAAF	360 / 0.5	1500	12 / 24	39.0 / 19.5	14.5	100	100	B	S1	IP44	TEFC	
M7BAAF	360 / 0.5	1500	12 / 24	39.0 / 19.5	20.0	75	182	B	S1	IP44	TEFC	



PMDC MOTOR.

TITLE 118DIA WORM-flange/MOTOR.

MMC ELECTRIC COMPANY PVT.LTD. BELGAUM.

REVISION NO. 00

REVISION DATE. 05/06/2009

DRAWN BY. MANOHAR

APPROVED BY. R.S.KUNDGOLKAR

SCALE. N.T.S.

SHEET 1 OF 1 MATERIAL

DRG.NO. MI-118/121-M[FL]B

SCALE. N.T.S.

MOUNTING : FLANGE

ALL DIMENSIONS ARE IN MM.

REV.NO DATE DESCRIPTION DRN.BY APD.BY