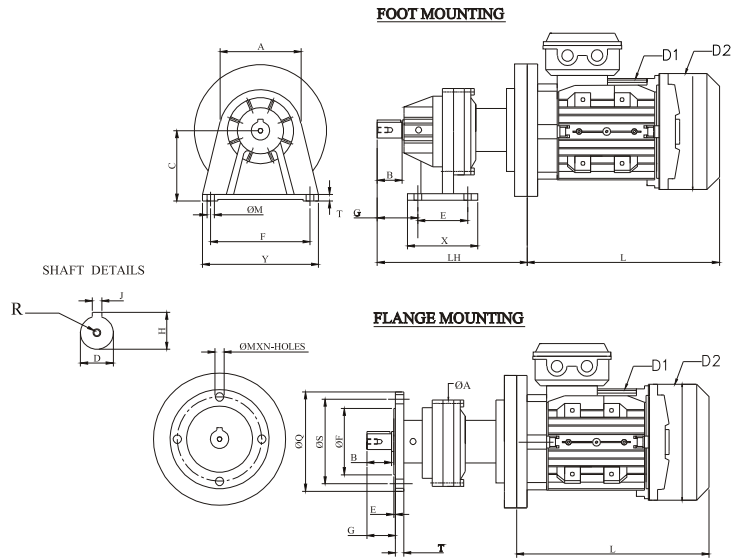
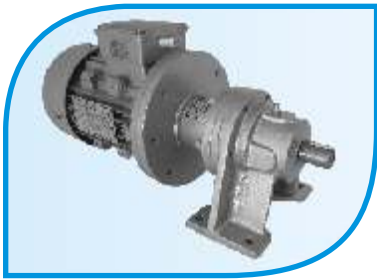


MMC ELECTRIC COMPANY PVT. LTD.

Admin. Off.: 109 / C, Sanjay Building No. 5, Mittal Estate, Sir M. V. Road, Andheri (E), Mumbai - 400 059, India
 Tel. +91-22-6692 0902 / 6692 0903 • Fax: +91-22-40260904 • e-mail: sales@dynafluxindia.com • Website: www.dynafluxindia.com

DYNAFLUX AC PLANETARY GEARED MOTORS



OUTPUT SHAFT		FOOT MOUNTING													FLANGE MOUNTING										OVERALL		
MODEL	Dj6	H	Jp9	R	B	A	C	X	Y	E	F	T	G	M	A	Q	S	Fh8	E	T	G	N	M	LH	DOUBLE STAGE LH	TRIPPLE STAGE LH	
2019	19	21.5	6	M6	30	100	85	85	140	60	120	8	49	9	100	120	102	80	2	10	34	4	11	181	210	240	
2028	28	31	8	M8	42	130	102	110	170	80	140	12	62	14	130	135	115	95	3	10	47	4	11	227	244	273	
2029	28	31	8	M8	42	130	102	110	170	80	140	12	62	14	130	135	115	95	3	10	47	4	11	-	268	308	
2038	38	41	10	M10	30	162	105	120	180	90	140	12	85	14	162	155	135	100	5	13	65	8	9	280	313	329	
2039	38	41	10	M10	30	162	105	120	180	90	140	12	85	14	162	155	135	100	5	13	65	8	9	-	332	353	
2050	50	53.5	14	M12	75	195	125	150	215	115	180	15	105	14	195	200	165	130	10	12	90	8	14	356	381	413	
2060	60	64	18	M12	90	240	150	180	260	140	210	16	125	18	240	220	190	160	10	16	105	8	14	434	459	484	
2070	70	74.5	20	M16	100	280	165	205	300	150	250	18	140	18	280	240	200	160	12	16	120	8	14	462	494	519	

SPECIFICATIONS															
POWER IN WATTS/HP	SPEED IN RPM	VOLTAGE IN VDC	CURR. IN AMPS	GB. MODEL	RATIO	O/P SPEED IN RPM	TORQUE IN KGM	INSL. CLASS	DUTY CYCLE	PROTEC-TION	ENCL.	D1	D2	L	WEIGHT (KG)
180/0.25	1400	415	0.60	1019	4.72	300	0.56	B	S1	IP44	TEFC	110	120	198	5.0
180/0.25	1400	415	0.60	1019	5.74	250	0.68	B	S1	IP44	TEFC	110	120	198	5.0
180/0.25	1400	415	0.60	2019	11.69	125	1.32	B	S1	IP44	TEFC	110	120	198	5.1
180/0.25	1400	415	0.60	2019	14.69	100	1.68	B	S1	IP44	TEFC	110	120	198	5.1
180/0.25	1400	415	0.60	2019	19.20	75	2.15	B	S1	IP44	TEFC	110	120	198	5.1
180/0.25	1400	415	0.60	2019	27.17	50	3.03	B	S1	IP44	TEFC	110	120	198	5.1
360/0.5	1400	415	1.0	1019	4.72	300	1.11	B	S1	IP44	TEFC	130	140	210	7.0
360/0.5	1400	415	1.0	1019	5.74	250	1.35	B	S1	IP44	TEFC	130	140	210	7.0
360/0.5	1400	415	1.0	2019	11.69	125	2.63	B	S1	IP44	TEFC	130	140	210	7.1
360/0.5	1400	415	1.0	2019	14.69	100	3.28	B	S1	IP44	TEFC	130	140	210	7.1
360/0.5	1400	415	1.0	2019	19.20	75	4.29	B	S1	IP44	TEFC	130	140	210	7.1
360/0.5	1400	415	1.0	2028	27.17	50	6.00	B	S1	IP44	TEFC	130	140	210	7.4
560/0.75	1400	415	1.5	1019	4.72	300	1.67	B	S1	IP44	TEFC	150	155	240	8.6
560/0.75	1400	415	1.5	1019	5.74	250	2.03	B	S1	IP44	TEFC	150	155	240	8.6
560/0.75	1400	415	1.5	2019	11.69	125	3.95	B	S1	IP44	TEFC	150	155	240	8.7
560/0.75	1400	415	1.5	2019	14.69	100	4.92	B	S1	IP44	TEFC	150	155	240	8.7
560/0.75	1400	415	1.5	2019	19.20	75	6.43	B	S1	IP44	TEFC	150	155	240	8.7
560/0.75	1400	415	1.5	2028	27.17	50	8.84	B	S1	IP44	TEFC	150	155	240	8.9
746/1.0	1400	415	2.0	1019	4.72	300	2.23	B	S1	IP44	TEFC	150	155	240	10.8
746/1.0	1400	415	2.0	1019	5.74	250	2.71	B	S1	IP44	TEFC	150	155	240	10.8
746/1.0	1400	415	2.0	2019	11.69	125	5.27	B	S1	IP44	TEFC	150	155	240	10.9
746/1.0	1400	415	2.0	2019	14.69	100	6.55	B	S1	IP44	TEFC	150	155	240	10.9
746/1.0	1400	415	2.0	2028	19.20	75	8.56	B	S1	IP44	TEFC	150	155	240	11.1
746/1.0	1400	415	2.0	2028	27.17	50	11.79	B	S1	IP44	TEFC	150	155	240	11.1
1110/1.5	1400	415	3.0	1028	4.60	300	3.25	B	S1	IP44	TEFC	170	175	288	14.0
1110/1.5	1400	415	3.0	1028	5.37	250	3.80	B	S1	IP44	TEFC	170	175	288	14.0
1110/1.5	1400	415	3.0	2028	12.00	125	8.02	B	S1	IP44	TEFC	170	175	288	13.6
1110/1.5	1400	415	3.0	2028	14.69	100	9.81	B	S1	IP44	TEFC	170	175	288	13.6
1110/1.5	1400	415	3.0	2028	19.20	75	12.85	B	S1	IP44	TEFC	170	175	288	13.6
1110/1.5	1400	415	3.0	2038	26.18	50	17.24	B	S1	IP44	TEFC	170	175	288	14.7
1492/2.0	1400	415	4.0	1028	4.60	300	4.33	B	S1	IP44	TEFC	170	175	318	16.3
1492/2.0	1400	415	4.0	1028	5.37	250	5.06	B	S1	IP44	TEFC	170	175	318	16.3
1492/2.0	1400	415	4.0	2029	11.97	125	11.46	B	S1	IP44	TEFC	170	175	318	16.3
1492/2.0	1400	415	4.0	2029	14.85	100	13.27	B	S1	IP44	TEFC	170	175	318	16.3
1492/2.0	1400	415	4.0	2029	18.95	75	16.68	B	S1	IP44	TEFC	170	175	318	16.3
1492/2.0	1400	415	4.0	2038	28.80	50	25.55	B	S1	IP44	TEFC	170	175	318	17.0

DYNAFLUX make electric motor suitable for 415±10%, 50Hz±5% 3phase supply, ambient temperature 50°C Class 'F' insulation, IP55 protection, continuous rated (S1 duty) with bare shaft & key as per IS: 325 Connection box can be rotated by 360° in steps of 90°. Provision of six lead for star/delta connection